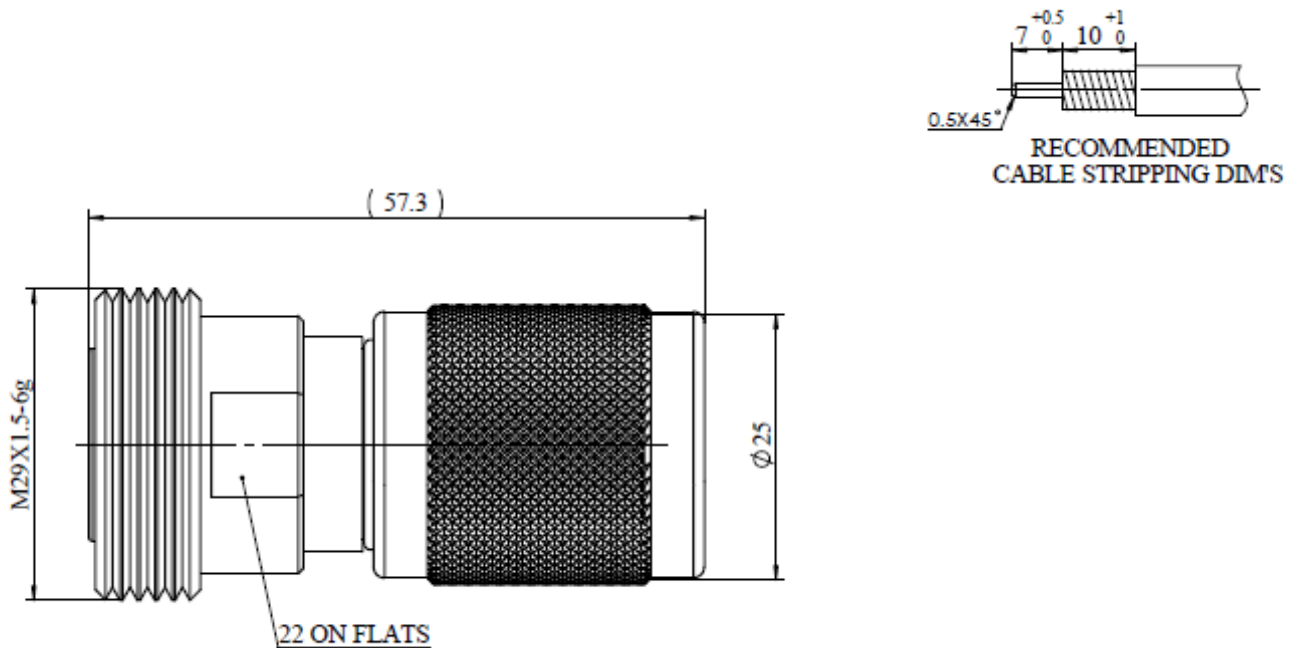


**Specification**

|                     |  |                 |
|---------------------|--|-----------------|
| Product Description | 7/16 Female Compression Connector for 1/2" Superflexible Cable | Date: 2019-1-31 |
| Part NO.            | AFB732-1   | Ver. 1          |

UNIT: mm



**Reference Standard**

**IEC61169-4**

**Electrical Performance**

|                                  |   |
|----------------------------------|---|
| Nominal Impedance (Ω)            | 50  |
| Frequency Range                  | DC~6GHz                                       |
| VSWR                             | ≤1.10(0-3GHZ)<br>≤1.20(3-6GHZ)                |
| VSWR(DTF)                        | ≤1.05(0-3GHZ)<br>≤1.10(3-6GHZ)                |
| PIM (dBc)                        | ≤-160(2*43dBm)                                |
| Insertion Loss                   | ≤0.05√F(GHZ)                                  |
| Insulation Resistance(MΩ/500VDC) | ≥10000  |
| Proof Voltage (V/AC)             | ≥3000   |
| Contact Resistance (mΩ)          | <0.8 (Inner Conductor) <0.4 (Outer Conductor) |

## Mechanical Performance

|                                 |            |
|---------------------------------|------------|
| Interface Durability            | 500 Cycles |
| Retention                       | ≥5.88N     |
| Mating Cycles                   | 500        |
| Tensile Force (Cable-Connector) | 400 N      |
| Torsion (Cable-Connector)       | 4 N.m      |
| Weight                          | 151.18g    |

## Material and Plating

| Connector Parts | Material        | Plating             |
|-----------------|-----------------|---------------------|
| Inner Conductor | Spring Copper   | Ag 5μm              |
| Outer Conductor | Brass           | Copper-tin-zinc 2μm |
| Insulator       | TPX             |                     |
| Gasket          | Silicone Rubber |                     |

## Environment

|                        |                         |
|------------------------|-------------------------|
| Temperature Range      | -40°C~+85°C             |
| Weather Standard       | IEC60068 40/ 085/ 21    |
| Thermal Shock          | IEC60068-2-14-Na        |
| Vibration              | IEC60068-2-6-Fc         |
| Shock                  | IEC60068-2-27           |
| Waterproofing Standard | IP68                    |
| RoHS                   | Compliant(EU and China) |

## Assembly

Inner conductor Installed and outer conductor Compressed.

| Cable Supported | Cable Type Supported |
|-----------------|----------------------|
| Amphenol        | AFY-50-12S           |
| Andrew          | FSJ50-4              |
| Draka           | RFF1/2"-50           |
| Eupen           | EC4-50-HF            |
| RFS             | SCF12-50             |

NOTE: The technical specification contains proprietary information and such information may not be disclosed to others for any particular purpose or used for manufacturing purposes without written permission from Amphenol Fuyang.