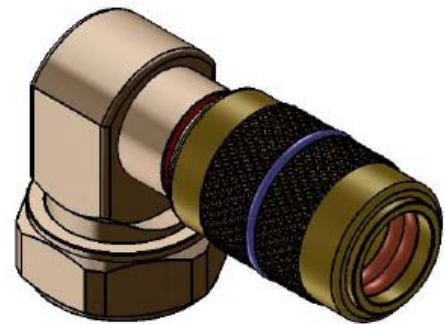
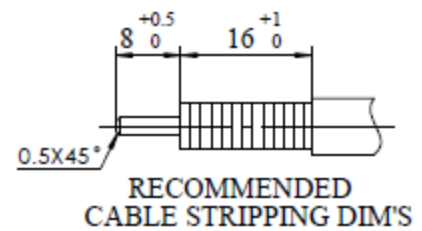
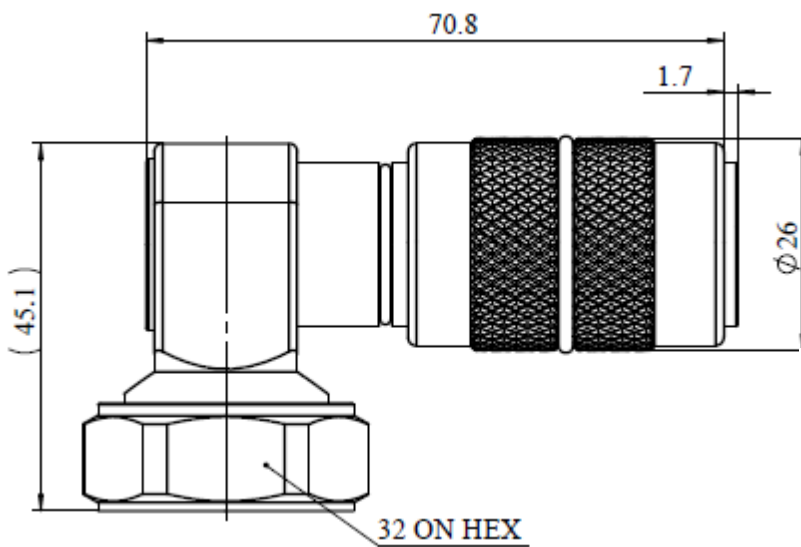


Specification

Product Description	7/16 Male Angle Compression Connector for 1/2" Normal Cable	Date: 2020.07.21
Part NO.	AFB303-1	Ver. 2

UNIT: mm

[Installation instructions](#)



Reference Standard

IEC61169-4

Electrical Performance

Nominal Impedance (Ω)	50
Frequency Range	DC~6GHz
VSWR	$\leq 1.15(0-3\text{GHz})$ $\leq 1.35(3-6\text{GHz})$
PIM (dBc)	$\leq -160(2*43\text{dBm})$
Insertion Loss	$\leq 0.05 \sqrt{F(\text{GHz})}$
Insulation Resistance(M Ω /500VDC)	≥ 10000
Proof Voltage (V/AC)	≥ 3000
Contact Resistance (m Ω)	≤ 0.8 (Inner Conductor) ≤ 0.2 (Outer Conductor)

Mechanical Performance

Interface Durability	500 Cycles
Nut Torque	25 N.m
(Nut) Whorl Pull	1000 N
Tensile Force (Cable-Connector)	500 N
Torsion (Cable-Connector)	3.5 N.m

Material and Plating

Connector Parts	Material	Plating
Inner Conductor	Brass /Spring Copper	Ag 3µm
Outer Conductor	Brass	Copper-tin-zinc 3µm
Nut	Brass	Ni 3µm
Insulator	PTFE/TPX	
Gasket	Silicone Rubber	

Environment

Temperature Range	-40°C~+85°C
Weather Standard	IEC60068 40/ 085/ 21
Thermal Shock	IEC60068-2-14-Na
Vibration	IEC60068-2-6-Fc
Shock	IEC60068-2-27
Waterproofing Standard	IP68
ROHS	Compliant(EU and China)

Assembly

Inner conductor Installed and outer conductor Compressed.

Cable Supported	Cable Type Supported	Cable Supported	Cable Type Supported
Amphenol	AFY-50-12R	Andrew	LDF4-50A
Draka	RF1/2"-50	ANDREW	HL4RP-50A (Plenum)
Eupen	EC4-50	RFS	ICA12-50JPLW (Plenum)
RFS	LCF12-50J		

NOTE: The technical specification contains proprietary information and such information may not be disclosed to others for any particular purpose or used for manufacturing purposes without written permission from Amphenol Fuyang.