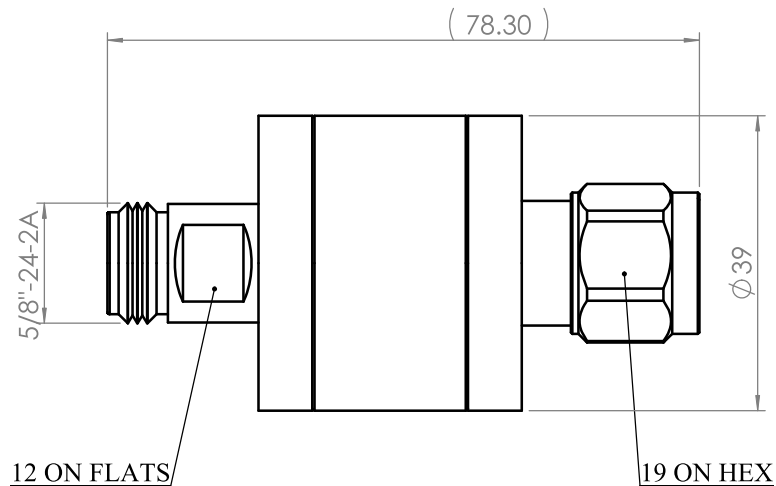


REVISIONS

REV	DESCRIPTION	DATE
0	FIRST RELEASE	2020-12-10



REFERENCE STANDARD

1. ELECTRIC PERFORMANCE
 IMPEDANCE(Ω)
 FREQUENCY RANGE
 VAWR

PIM(dBc)
 INSERT LOSS (dB)

INSULATION RESISTANCE(MΩ)
 VOLTAGE
 BLOCKING VOLTAGE
 LEAKAGE CURRENT MAX
 CAPACITANCE

2. MECHANICAL PERFORMANCE

RETENTION
 MATING CYCLE
 NUT TORQUE

IEC61169-16

50
 698-3800MHz
 ≤1.1(50-1500MHz)
 ≤1.15(1500-3000MHz)
 ≤1.25(3000-3800MHz)
 ≤-150 (2*43dBm)
 ≤ 0.2(50-1500MHz)
 ≤ 0.3(1500-3800MHz)
 ≥5000
 ≤1000V
 ≤3000V 1min.DC
 ≤0.2(mA)
 8KPF(OUTER CONDUCTOR)
 1KPF(INNER CONDUCTOR)

>0.56N
 500
 5N.m

3. MATERIAL AND PLATING

INNER CONDUCTOR
 OUTER CONDUCTOR
 NUT
 INSULATOR
 O-RING

SPRING COPPER Ag3μm
 BRASS COPPER TIN-ZINC3μm
 BRASS COPPER TIN-ZINC3μm
 PTFE
 SILICON RUBBER

4. ENVIRONMENT

TEMP.RANGE
 WEATHER STANDARD
 THERMAL SHOCK
 VIBRATION
 SHOCK
 WATERPROOF STANDARD
 ROHS COMPLIANT

-40°C~+85°C
 IEC 60068 40 / 85/21
 IEC 60068 -2-14-Na
 IEC 60068-2-6-Fc
 IEC 60068-2-27
 IP65

DRAWN	PanJie 2020.12.14 08:51:45 +08'00'	TITLE			 AMPHENOL FUYANG CO.,LTD CHANGZHOU, CHINA		
CHECKED	YuYing 2020.12.11 14:53:26 +08'00'	NM-NF					
APPROVED	QianBo 2020.12.11 11:24:43 +08'00'	SHEET	SCALE	METRIC	PART NO.		
		1/1	1.5/1	mm	AFDC18-1		
					AFDC18-1		