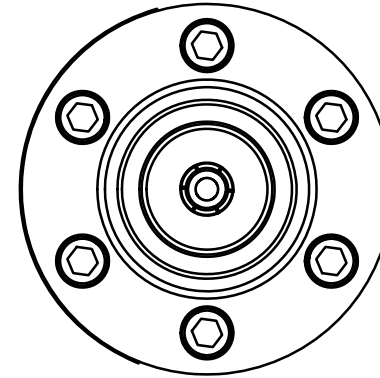
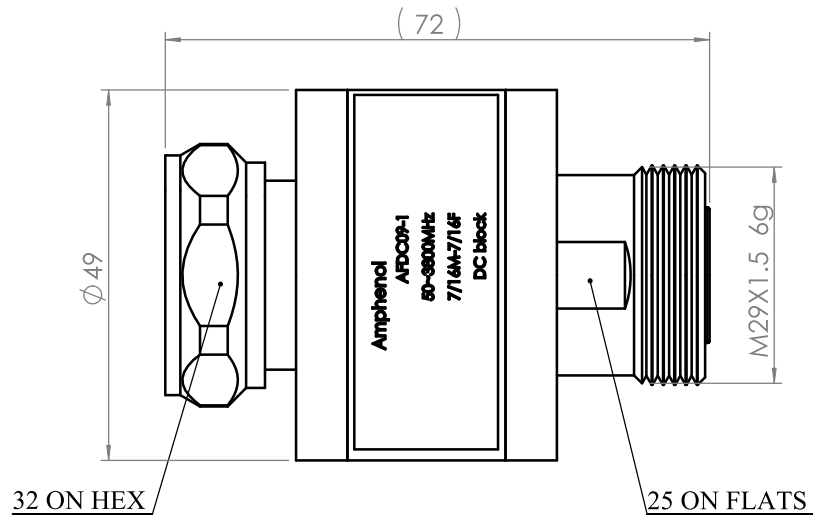


REVISIONS

REV	DESCRIPTION	DATE
0	FIRST RELEASE	2017-9-29



REFERENCE STANDARD

1. ELECTRIC PERFORMANCE
 IMPEDANCE(Ω)
 FREQUENCY RANGE
 VAWR

PIM (dBc)
 INSERT LOSS (dB)

INSULATION RESISTANCE(M Ω)
 BLOCKING VOLTAGE
 LEAKAGE CURRENT MAX
 CAPACITANCE

2. MECHANICAL PERFORMANCE
 RETENTION
 MATING CYCLE

IEC60169-4

50
 50-3800MHz
 ≤ 1.1 (50-1500MHz)
 ≤ 1.15 (1500-3000MHz)
 ≤ 1.25 (3000-3800MHz)
 ≤ -150 (2*43dBm)
 ≤ 0.2 (50-1500MHz)
 ≤ 0.3 (1500-3800MHz)
 ≥ 10000
 $\leq 3000V$ 1min.DC
 $\leq 0.2mA$
 8KPF(OUTER CONDUCTOR)
 1KPF(INNER CONDUCTOR)

$> 5.88N$
 500

3. MATERIAL AND PLATING


INNER CONDUCTOR
 OUTER CONDUCTOR
 NUT
 INSULATOR
 O-RING

SPRING COPPER Ag5 μm
 BRASS COPPER TIN-ZINC2 μm
 BRASS
 PTFE
 SILICON RUBBER

4. ENVIRONMENT

TEMP.RANGE
 WEATHER STANDARD
 THERMAL SHOCK
 VIBRATION
 SHOCK
 WATERPROOF STANDARD
 ROHS COMPLIANT

-40 $^{\circ}C$ ~+85 $^{\circ}C$
 IEC 60068 40 / 85/21
 IEC 60068 -2-14-Na
 IEC 60068-2-6-Fc
 IEC 60068-2-27
 IP65

DRAWN YuYing 2017.09.30 10:05:16 +08'00'		TITLE			 AMPHENOL FUYANG CO.,LTD CHANGZHOU, CHINA		
CHECKED WangYing 2017.09.29 15:45:51 +08'00'		DC STOP 7/16M-7/16F					DRAWING NO.
APPROVED QianBo 2017.09.30 10:24:16 +08'00'		SHEET	SCALE	METRIC	PART NO.		
		1/1	1.5/1	mm	AFDC09-1		
				AFS-DC09-1		1	0